

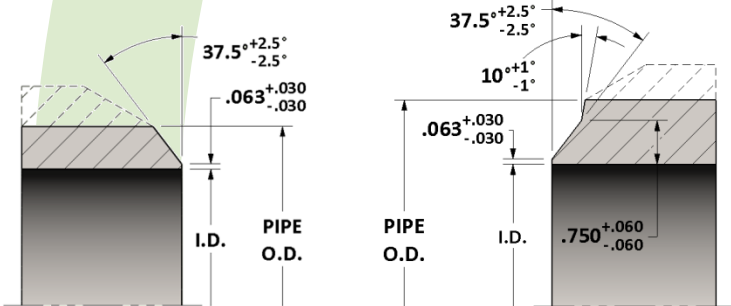
Butt Weld Union

Specification: Weld bevels per ASME B16.25

Material: Available in a complete range of Carbon Steels, Stainless Steels, Alloy Steels and Non-ferrous metals certified to ASTM, ASME, and Military standards.

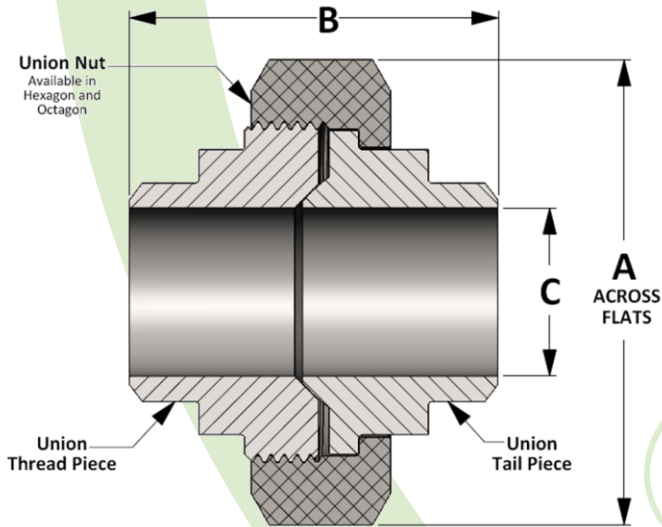
Sizes: 1/8" – 4" in all Schedules
Also available in reducing sizes starting at 1/4" and in other requirements such as special wall thickness

Butt Weld Ends Details

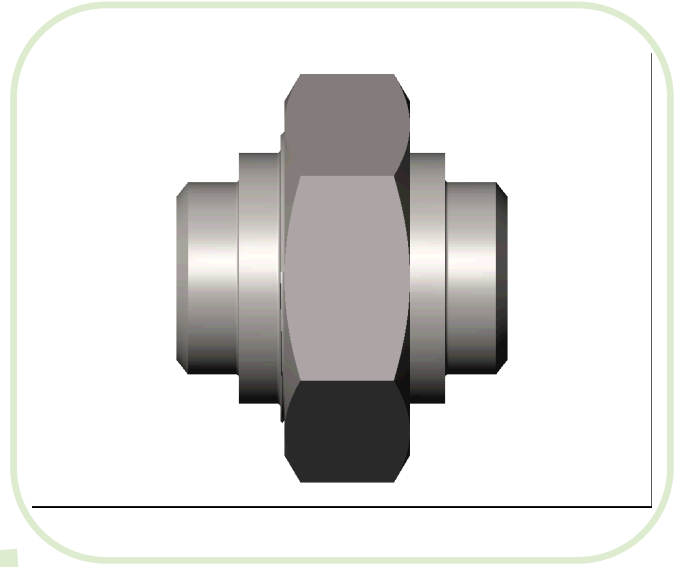


Weld bevels for wall thickness below 0.880"

Weld bevels for wall thickness above 0.880"



Active
3D
Model



All dimensions are in inches • Weights are based on Carbon Steel

PIPE SIZE	A	B	STD/S40		XH/S80		S160		XXH	
			C	LBS	C	LBS	C	LBS	C	LBS
1/8	1.375	1.688	0.269	0.37	0.215	0.38	0.157	0.39	0.025	0.39
1/4	1.375	1.688	0.364	0.38	0.302	0.38	0.250	0.39	0.064	0.40
3/8	1.625	1.813	0.493	0.55	0.423	0.58	0.359	0.60	0.171	0.62
1/2	1.812	1.938	0.622	0.72	0.546	0.75	0.464	0.78	0.252	0.83
3/4	2.250	2.250	0.824	1.25	0.742	1.31	0.612	1.39	0.434	1.45
1	2.562	2.438	1.049	1.70	0.957	1.79	0.815	1.91	0.599	2.02
1-1/4	3.062	2.813	1.380	2.61	1.278	2.76	1.160	2.91	0.896	3.16
1-1/2	3.437	3.000	1.610	3.37	1.500	3.57	1.338	3.83	1.100	4.12
2	4.062	3.375	2.067	5.07	1.939	5.43	1.689	6.01	1.503	6.34
2-1/2	4.875	4.031	2.469	8.65	2.323	9.21	2.125	9.86	1.771	10.74
3	5.687	4.313	3.068	11.82	2.900	12.70	2.624	13.93	2.300	15.05
4	6.875	8.000	4.026	29.20	3.826	31.84	3.438	36.40	3.152	39.22