



# Hexagon Head Bushing

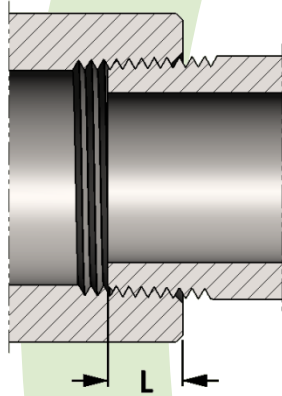
**Specification:** ASME B16.11 for 1/8" - 4" only

**Material:** Available in a complete range of Carbon Steels, Stainless Steels, Alloy Steels and Non-ferrous metals certified to ASTM, ASME, and Military standards.

**Sizes:** 1/8" - 8"

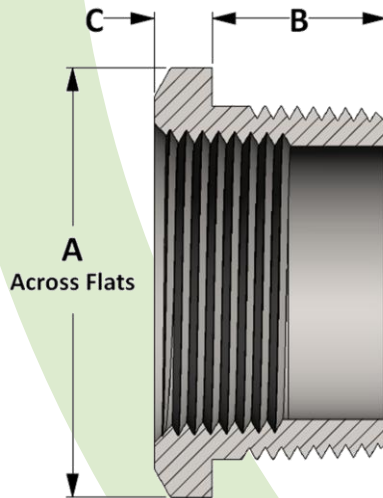
**Threads:** American National Standard Taper Pipe Threads  
NPT (ANSI/ASME B1.20.1-1983)

Also available in other thread forms: NPTF, NPSC, NPSM, BSPT, BSPP  
And in any combination

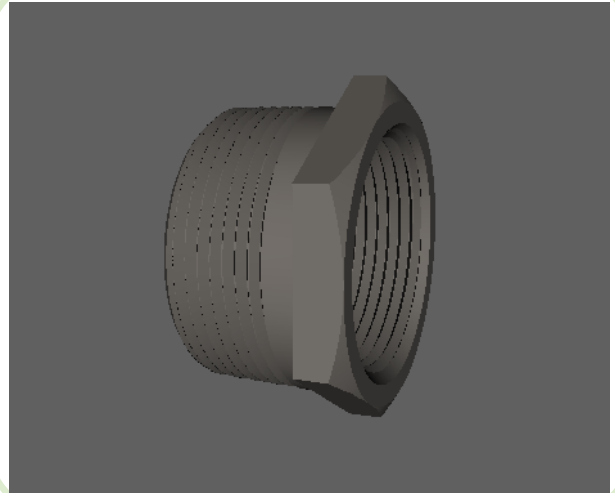


SIZE	L	SIZE	L
1/8	0.273	2	0.697
1/4	0.395	2-1/2	0.933
3/8	0.407	3	1.016
1/2	0.534	3-1/2	1.071
3/4	0.553	4	1.094
1	0.661	5	1.187
1-1/4	0.681	6	1.208
1-1/2	0.681	8	1.313

**Length of thread  
screwed into fitting**



Active  
**3D**  
Model



All dimensions are in inches • Weights are based in Carbon Steel

PIPE SIZE	Figure No. 06011														
	1/8	1/4	3/8	1/2	3/4	1	1-1/4	1-1/2	2	2-1/2	3	3-1/2	4	5	6
A	---	0.625	0.688	0.875	1.063	1.375	1.750	2.000	2.500	3.000	3.625	4.250	4.750	5.750	6.750
B	---	0.500	0.563	0.688	0.750	0.875	0.875	0.938	1.000	1.188	1.375	1.500	1.500	1.500	1.513
C	---	0.125	0.160	0.190	0.220	0.250	0.281	0.313	0.344	0.500	0.500	0.625	0.625	0.750	0.750
LBS	---	0.02	0.04	0.06	0.11	0.19	0.39	0.63	0.79	1.19	2.56	5.50	7.06	9.32	13.15