

Socket Weld Half Coupling

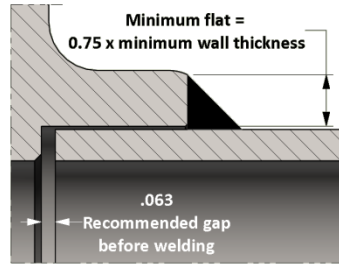
ISO 9001 & PED Certified
Canadian Registered in all provinces

Specification: ASME B16.11

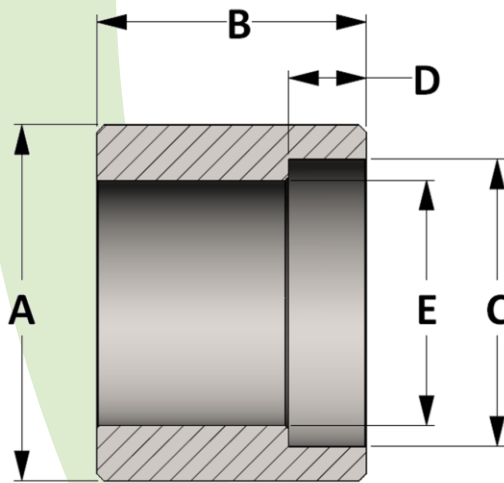
Material: Available in a complete range of Carbon Steels, Stainless Steels, Alloy Steels and Non-ferrous metals certified to ASTM, ASME, and Military standards.

Sizes: 1/8" - 12" in CL 3000 • 1/8" - 6" in CL 6000 • 1/8" - 4" in CL 9000
Also available in tube sizes, special pipe schedules/class rating, orifice holes, and special lengths

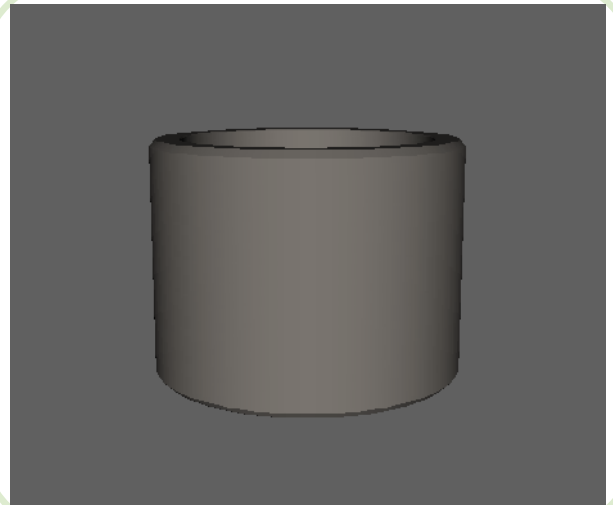
Welding Gap and Minimum Flat Dimension for Socket Weld Fittings



Socket Weld Pressure Class	Pipe Schedule
Class 3000	S80/XH
Class 6000	S160
Class 9000	XXH



Active
3D
Model



All dimensions are in inches • Weights are based on Carbon Steel

PIPE SIZE	CLASS 3000 – Figure No. 13009												
	1/8	1/4	3/8	1/2	3/4	1	1-1/4	1-1/2	2	2-1/2	3	3-1/2	4
A	0.750	0.875	1.063	1.250	1.500	1.813	2.250	2.500	3.000	3.625	4.313	5.000	5.500
B	1.050	1.050	1.112	1.302	1.456	1.636	1.706	1.766	2.261	2.331	2.391	2.646	2.646
C	0.426	0.560	0.693	0.859	1.071	1.335	1.682	1.922	2.410	2.910	3.536	4.036	4.545
D	0.438	0.438	0.438	0.438	0.531	0.531	0.531	0.531	0.656	0.656	0.656	0.781	0.781
E	0.269	0.364	0.493	0.622	0.824	1.049	1.380	1.610	2.067	2.469	3.068	3.548	4.026
LBS	0.09	0.11	0.14	0.28	0.40	0.65	1.05	1.23	2.05	4.32	5.72	7.49	9.84

PIPE SIZE	CLASS 6000 – Figure No. 16009												
	1/8	1/4	3/8	1/2	3/4	1	1-1/4	1-1/2	2	2-1/2	3	3-1/2	4
A	0.875	1.000	1.250	1.500	1.750	2.000	2.500	2.750	3.625	4.250	5.000	6.000	6.000
B	1.050	1.050	1.112	1.302	1.456	1.636	1.706	1.766	2.261	2.331	2.391	2.646	2.646
C	0.426	0.560	0.693	0.859	1.071	1.335	1.682	1.922	2.410	2.910	3.536	4.046	4.545
D	0.438	0.438	0.438	0.438	0.531	0.531	0.531	0.531	0.656	0.656	0.656	0.781	0.781
E	0.157	0.250	0.359	0.466	0.614	0.815	1.160	1.338	1.689	2.125	2.625	2.728	3.438
LBS	0.16	0.16	0.29	0.54	0.70	1.10	1.61	3.02	4.71	7.35	10.14	13.37	18.35

PIPE SIZE	CLASS 9000 – Figure No. 19009												
	1/8	1/4	3/8	1/2	3/4	1	1-1/4	1-1/2	2	2-1/2	3	3-1/2	4
A	1.000	1.250	1.750	1.750	2.000	2.500	2.750	3.000	3.625	4.500	5.500	6.000	6.500
B	1.050	1.050	1.112	1.302	1.456	1.636	1.706	1.766	2.261	2.331	2.391	2.646	2.646
C	0.426	0.560	0.693	0.859	1.071	1.335	1.682	1.922	2.410	2.910	3.536	4.036	4.545
D	0.438	0.438	0.438	0.438	0.531	0.531	0.531	0.531	0.656	0.656	0.656	0.781	0.781
E	0.031	0.064	0.171	0.252	0.434	0.599	0.896	1.100	1.503	1.771	2.300	2.728	3.438
LBS	0.21	0.33	0.70	0.84	1.12	4.15	3.14	4.95	5.10	8.30	13.77	15.19	16.29