



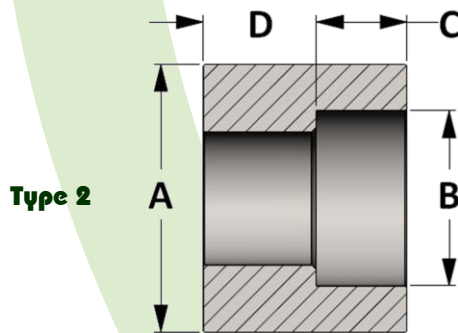
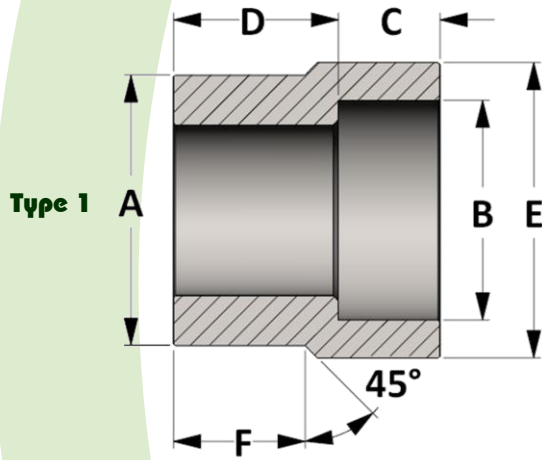
Socket Weld Reducing Insert

Specification: MSS – SP79 except for 1/8" and all Class 9000
Socket weld ends per ASME B16.11

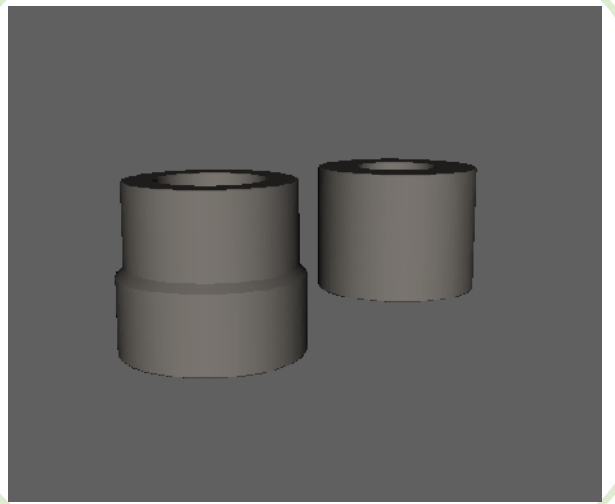
Material: Available in a complete range of Carbon Steels, Stainless Steels, Alloy Steels and Non-ferrous metals certified to ASTM, ASME, and Military standards.

Sizes: 1/8" - 4" in CL 3000, CL 6000 and CL 9000
Also available in tube sizes and special pipe schedules/class rating.

Socket Weld Pressure Class	Pipe Schedule
Class 3000	S80/XH
Class 6000	S160
Class 9000	XXH



Active
3D
Model



All dimensions are in inches

Pipe Size		CLASS 3000 – Figure No. 13016						
	TYPE	A	B	C	D	E	F	
1/4	1/8	1	0.540	0.426	0.438	0.750	0.750	0.563
	3/8	1	0.675	0.426	0.438	0.750	0.750	0.563
3/8	1/4	1	0.675	0.560	0.438	0.750	0.875	0.563
	1/8	2	0.840	0.426	0.438	0.813	---	---
	1/4	1	0.840	0.560	0.438	0.813	0.875	0.625
1/2	3/8	1	0.840	0.693	0.438	0.813	1.063	0.625
	1/8	2	1.050	0.426	0.438	0.688	---	---
	1/4	2	1.050	0.560	0.438	0.688	---	---
3/4	3/8	2	1.050	0.693	0.438	0.625	---	---
	1/2	1	1.050	0.859	0.500	0.875	1.250	0.688
	1/4	2	1.315	0.560	0.438	0.750	---	---
1	3/8	2	1.315	0.693	0.438	0.688	---	---
	1/2	2	1.315	0.859	0.500	0.625	---	---
	3/4	1	1.315	1.071	0.563	0.938	1.500	0.750
1-1/4	3/8	2	1.660	0.693	0.438	0.813	---	---
	1/2	2	1.660	0.859	0.500	0.750	---	---
	3/4	2	1.660	1.071	0.563	0.688	---	---
1-1/2	1	1	1.660	1.335	0.625	1.000	1.813	0.813
	3/8	2	1.900	0.693	0.438	0.880	---	---
	1/2	2	1.900	0.859	0.500	0.813	---	---
	3/4	2	1.900	1.071	0.563	0.750	---	---
1-1/2	1	2	1.900	1.335	0.625	0.688	---	---
	1-1/4	1	1.900	1.682	0.688	1.125	2.250	0.875

Pipe Size		CLASS 3000 – Figure No. 13016						
	TYPE	A	B	C	D	E	F	
2	1/2	2	2.375	0.859	0.500	1.000	---	---
	3/4	2	2.375	1.071	0.563	0.938	---	---
	1	2	2.375	1.335	0.625	0.875	---	---
	1-1/4	2	2.375	1.682	0.688	0.813	---	---
2-1/2	1-1/2	1	2.375	1.922	0.750	1.250	2.500	1.000
	3/4	2	2.875	1.071	0.563	1.563	---	---
	1	2	2.875	1.335	0.625	1.500	---	---
	1-1/4	2	2.875	1.682	0.688	1.438	---	---
	1-1/2	2	2.875	1.922	0.750	1.375	---	---
3	2	1	2.875	2.410	0.875	1.813	3.000	1.500
	3/4	2	3.500	1.071	0.563	1.312	---	---
	1	2	3.500	1.335	0.625	1.250	---	---
	1-1/4	2	3.500	1.682	0.688	1.188	---	---
	1-1/2	2	3.500	1.922	0.750	1.125	---	---
	2	2	3.500	2.410	0.875	1.000	---	---
	2-1/2	1	3.500	2.910	0.875	1.500	3.625	1.250
4	3/4	2	4.500	1.071	0.563	1.813	---	---
	1	2	4.500	1.335	0.625	1.750	---	---
	1-1/4	2	4.500	1.682	0.688	1.688	---	---
	1-1/2	2	4.500	1.922	0.750	1.625	---	---
	2	2	4.500	2.410	0.875	1.500	---	---
	2-1/2	2	4.500	2.910	0.875	1.500	---	---
3	2	4.500	3.536	1.063	1.313	---	---	



Socket Weld Reducing Insert Contd.

Pipe Size		CLASS 6000 – Figure No. 16016						
		TYPE	A	B	C	D	E	F
1/4	1/8	1	0.540	0.426	0.438	0.813	0.875	0.625
	3/8	1	0.675	0.426	0.438	0.813	1.063	0.625
3/8	1/4	1	0.675	0.560	0.438	0.813	0.875	0.625
	1/8	1	0.840	0.426	0.438	0.813	0.875	0.625
1/2	1/4	1	0.840	0.560	0.438	0.813	1.000	0.625
	3/8	1	0.840	0.693	0.438	0.875	1.313	0.625
3/4	1/8	2	1.050	0.426	0.438	0.875	---	---
	1/4	2	1.050	0.560	0.438	0.875	---	---
	3/8	1	1.050	0.693	0.438	0.875	1.313	0.750
	1/2	1	1.050	0.859	0.500	1.000	1.500	0.750
1	1/4	2	1.315	0.560	0.438	0.938	---	---
	3/8	2	1.315	0.693	0.438	0.875	---	---
	1/2	1	1.315	0.859	0.500	1.125	1.500	0.813
1-1/4	3/4	1	1.315	1.071	0.563	1.125	1.750	0.813
	3/8	2	1.660	0.693	0.438	0.940	---	---
	1/2	2	1.660	0.859	0.500	0.875	---	---
1-1/2	3/4	2	1.660	1.071	0.563	0.813	---	---
	1	1	1.660	1.335	0.625	1.188	2.250	0.875
	3/8	2	1.900	0.693	0.438	1.125	---	---
	1/2	2	1.900	0.859	0.500	1.063	---	---
1-1/2	3/4	2	1.900	1.071	0.563	1.000	---	---
	1	1	1.900	1.335	0.625	1.156	2.250	1.000
	1-1/4	1	1.900	1.682	0.688	1.375	2.500	1.000

Pipe Size		CLASS 6000 – Figure No. 16016						
		TYPE	A	B	C	D	E	F
2	1/2	2	2.375	0.859	0.500	1.125	---	---
	3/4	2	2.375	1.071	0.563	1.063	---	---
	1	2	2.375	1.335	0.625	1.000	---	---
	1-1/4	2	2.375	1.682	0.688	0.938	---	---
2-1/2	1-1/2	1	2.375	1.922	0.750	1.531	3.000	1.125
	3/4	2	2.875	1.071	0.563	1.500	---	---
	1	2	2.875	1.335	0.625	1.500	---	---
	1-1/4	2	2.875	1.682	0.688	1.438	---	---
3	1-1/2	2	2.875	1.922	0.750	1.375	---	---
	2	1	2.875	2.410	0.875	1.688	3.625	1.250
	3/4	2	3.500	1.071	0.563	1.688	---	---
	1	2	3.500	1.335	0.625	1.625	---	---
3	1-1/4	2	3.500	1.682	0.688	1.250	---	---
	1-1/2	2	3.500	1.922	0.750	1.250	---	---
	2	2	3.500	2.410	0.875	1.250	---	---
	2-1/2	1	3.500	2.910	0.875	2.250	4.250	1.750
4	3/4	2	4.500	1.071	0.563	2.312	---	---
	1	2	4.500	1.335	0.625	2.250	---	---
	1-1/4	2	4.500	1.682	0.688	2.188	---	---
	1-1/2	2	4.500	1.922	0.750	2.125	---	---
4	2	2	4.500	2.410	0.875	2.000	---	---
	2-1/2	2	4.500	2.910	0.875	2.000	---	---
	3	1	4.500	3.536	1.000	2.563	4.750	1.750

Pipe Size		CLASS 9000 – Figure No. 19016						
		TYPE	A	B	C	D	E	F
1/4	1/8	1	0.540	0.426	0.438	0.875	1.000	0.500
	3/8	1	0.675	0.426	0.438	0.875	1.000	0.563
3/8	1/4	1	0.675	0.560	0.438	1.000	1.250	0.563
	1/8	1	0.840	0.426	0.438	0.875	1.000	0.625
1/2	1/4	1	0.840	0.560	0.438	1.000	1.250	0.625
	3/8	1	0.840	0.693	0.438	1.125	1.500	0.625
3/4	1/8	2	1.050	0.426	0.438	1.250	---	---
	1/4	1	1.050	0.560	0.438	1.000	1.250	0.688
	3/8	1	1.050	0.693	0.438	1.063	1.500	0.688
	1/2	1	1.050	0.859	0.500	1.188	1.750	0.688
1	1/4	2	1.315	0.560	0.438	1.375	---	---
	3/8	1	1.315	0.693	0.438	1.000	1.500	0.750
	1/2	1	1.315	0.859	0.500	1.188	1.750	0.750
1-1/4	3/4	1	1.315	1.071	0.563	1.313	2.250	0.750
	3/8	2	1.660	0.693	0.438	1.375	---	---
	1/2	2	1.660	0.859	0.500	1.313	---	---
1-1/2	3/4	1	1.660	1.071	0.563	1.188	2.250	0.813
	1	1	1.660	1.335	0.625	1.375	2.500	0.813
	3/8	2	1.900	0.693	0.438	1.500	---	---
1-1/2	1/2	2	1.900	0.859	0.500	1.438	---	---
	3/4	2	1.900	1.071	0.563	1.375	---	---
	1	1	1.900	1.335	0.625	1.313	2.500	0.875
1-1/4	1	1.900	1.682	0.688	1.625	3.000	0.875	

Pipe Size		CLASS 9000 – Figure No. 19016						
		TYPE	A	B	C	D	E	F
2	1/2	2	2.375	0.859	0.500	1.563	---	---
	3/4	2	2.375	1.071	0.563	1.500	---	---
	1	2	2.375	1.335	0.625	1.438	---	---
	1-1/4	1	2.375	1.682	0.688	1.500	3.000	1.000
2-1/2	1-1/2	1	2.375	1.922	0.750	1.625	3.625	1.000
	3/4	2	2.875	1.071	0.563	1.750	---	---
	1	2	2.875	1.335	0.625	1.688	---	---
	1-1/4	2	2.875	1.682	0.688	1.625	---	---
3	1-1/2	1	2.875	1.922	0.750	1.438	3.625	1.063
	2	1	2.875	2.410	0.875	1.750	4.250	1.063
	3/4	2	3.500	1.071	0.563	1.875	---	---
	1	2	3.500	1.335	0.625	1.813	---	---
3	1-1/4	2	3.500	1.682	0.688	1.750	---	---
	1-1/2	2	3.500	1.922	0.750	1.688	---	---
	2	1	3.500	2.410	0.875	1.500	4.250	1.125
	2-1/2	1	3.500	2.910	0.938	1.938	5.000	1.125
4	3/4	2	4.500	1.071	0.563	2.063	---	---
	1	2	4.500	1.335	0.625	2.000	---	---
	1-1/4	2	4.500	1.682	0.688	1.938	---	---
	1-1/2	2	4.500	1.922	0.750	1.875	---	---
4	2	2	4.500	2.410	0.875	1.750	---	---
	2-1/2	2	4.500	2.910	0.938	1.688	---	---
	3	1	4.500	3.536	1.000	2.000	5.500	1.250