



Socket Weld O-Ring Union

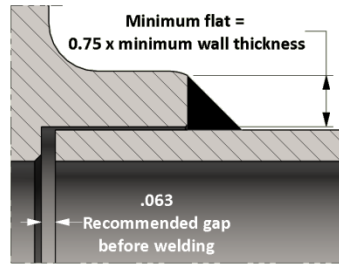
Specification: O-Ring groove per AS 568 B

Material: Available in a complete range of Carbon Steels, Stainless Steels, Alloy Steels and Non-ferrous metals certified to ASTM, ASME, and Military standards.

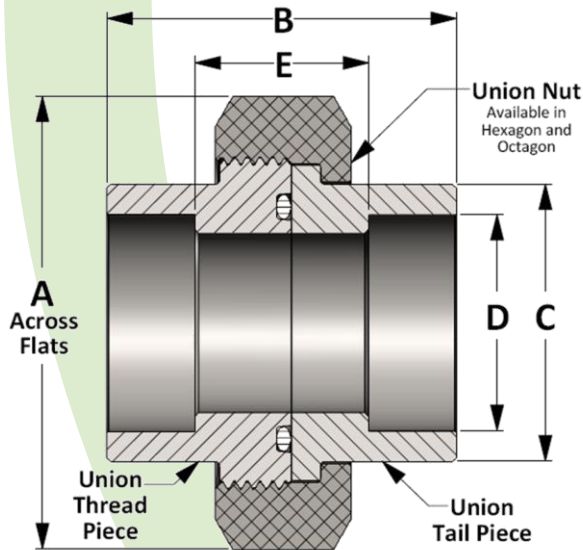
O-Ring Material: Available in Buna, Viton, or Teflon. Durometer hardness corresponds to pressure class.

Sizes: 1/8" - 3" in CL 3000 • 1/8" - 2-1/2" in CL 6000
Also available in reducing pipe sizes and tube sizes

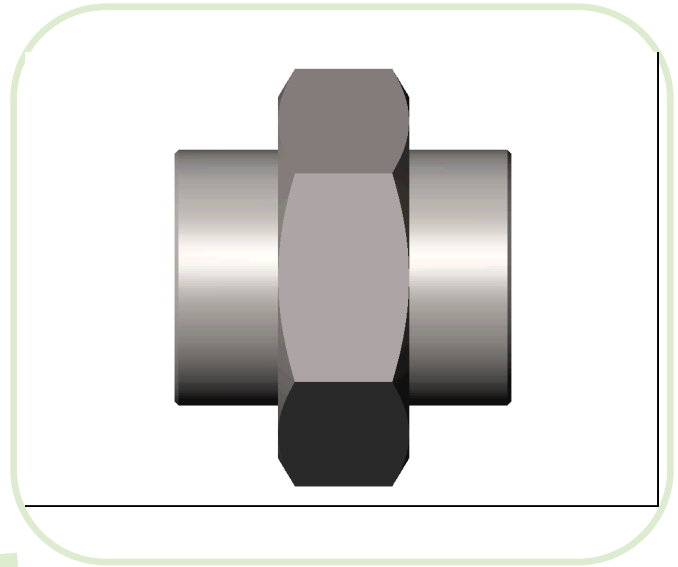
Welding Gap and Minimum Flat Dimension For Socket Weld Fittings



Socket Weld Pressure Class	Pipe Schedule
Class 3000	S80/XH
Class 6000	S160



Animated
Model



All dimensions are in inches • Weights are based in Carbon Steel

CLASS 3000 – FIGURE NO. 13035

PIPE SIZE	1/8	1/4	3/8	1/2	3/4	1	1-1/4	1-1/2	2	2-1/2	3
A	1.375	1.375	1.625	1.813	2.250	2.562	3.063	3.438	4.063	4.875	5.688
B	1.625	1.625	1.781	1.906	2.218	2.406	2.718	2.968	3.343	3.906	4.218
C	0.865	0.865	1.025	1.235	1.465	1.795	2.165	2.425	2.965	3.615	4.305
D	0.426	0.560	0.693	0.859	1.071	1.335	1.682	1.922	2.410	2.910	3.536
E	0.813	0.813	0.906	0.906	1.094	1.156	1.344	1.468	1.593	2.156	2.218
LBS	0.40	0.38	0.52	0.73	1.19	1.66	2.66	3.42	5.36	9.12	12.58

CLASS 6000 – FIGURE NO. 16035

PIPE SIZE	1/8	1/4	3/8	1/2	3/4	1	1-1/4	1-1/2	2	2-1/2	3
A	1.375	1.625	1.813	2.250	2.562	3.063	3.438	4.063	4.875	5.688	---
B	1.625	1.781	1.906	2.218	2.406	2.718	2.968	3.343	3.906	4.218	---
C	0.865	1.025	1.235	1.465	1.795	2.165	2.425	2.965	3.615	4.305	---
D	0.426	0.560	0.693	0.859	1.071	1.335	1.682	1.922	2.410	2.910	---
E	0.813	0.906	0.906	1.094	1.156	1.344	1.468	1.593	2.156	2.218	---
LBS	0.48	0.56	0.75	1.35	2.01	3.17	3.92	6.60	10.12	14.00	---