



Square Head Plug

ISO 9001 & PED Certified
Canadian Registered in all provinces

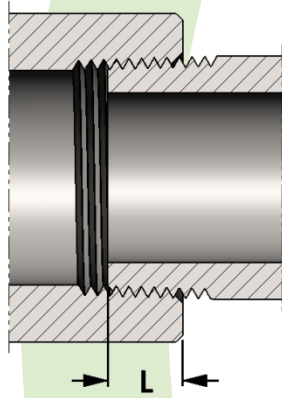
Specification: ASME B16.11 for 1/8" - 4" only

Material: Available in a complete range of Carbon Steels, Stainless Steels, Alloy Steels and Non-ferrous metals certified to ASTM, ASME, and Military standards.

Sizes: 1/8" - 8"

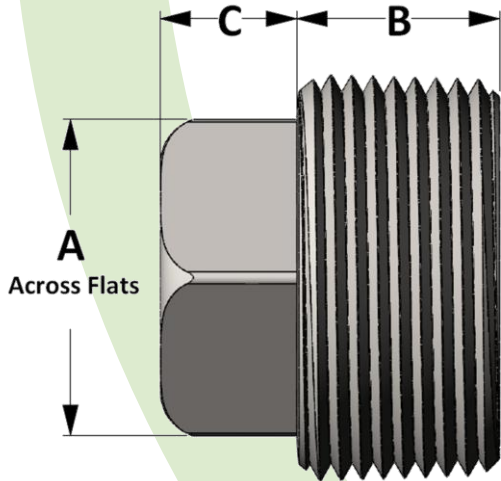
Threads: American National Standard Taper Pipe Threads
NPT (ANSI/ASME B1.20.1-1983)

Also available in other thread forms: NPTF, NPSC, NPSM, BSPT, BSPP

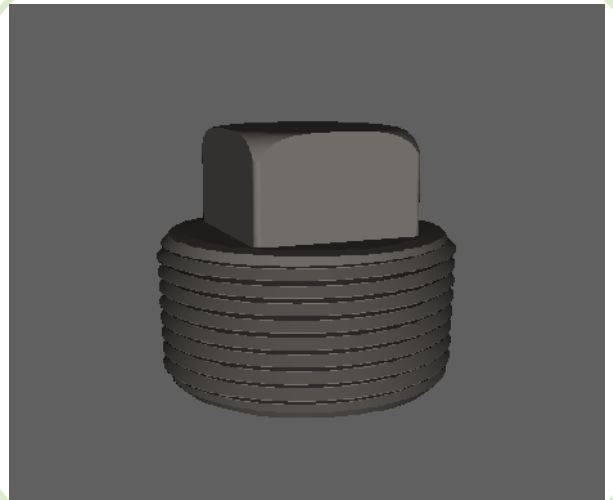


SIZE	L	SIZE	L
1/8	0.273	2	0.697
1/4	0.395	2-1/2	0.933
3/8	0.407	3	1.016
1/2	0.534	3-1/2	1.071
3/4	0.553	4	1.094
1	0.661	5	1.187
1-1/4	0.681	6	1.208
1-1/2	0.681	8	1.313

**Length of thread
screwed into fitting**



Active
3D
Model



All dimensions are in inches • Weights are based in Carbon Steel

PIPE SIZE	Figure No. 06013														
	1/8	1/4	3/8	1/2	3/4	1	1-1/4	1-1/2	2	2-1/2	3	3-1/2	4	5	6
A	0.281	0.380	0.440	0.563	0.625	0.813	0.940	1.125	1.313	1.500	1.690	1.875	2.500	3.250	4.250
B	0.380	0.440	0.500	0.563	0.625	0.750	0.813	0.813	0.880	1.063	1.125	1.187	1.250	1.875	2.000
C	0.250	0.250	0.313	0.380	0.440	0.500	0.563	0.625	0.690	0.750	0.813	0.875	1.000	1.625	1.875
LBS	0.02	0.03	0.06	0.11	0.18	0.35	0.60	0.82	1.36	2.21	3.47	4.73	8.64	17.12	28.41