

Threaded Di - Electric Union

Specification: O-Ring groove per AS 568 B

Material: Available in a complete range of Carbon Steels, Stainless Steels, Alloy Steels and Non-ferrous metals certified to ASTM, ASME, and Military standards.

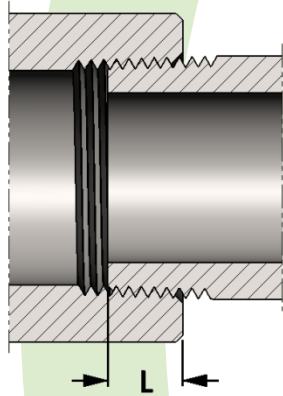
O-Ring Material: Available in Buna, Viton, or Teflon. Durometer hardness corresponds to pressure class.

Insulator: Thermo-baked Di-Electric coating to prevent flow of electric charge, thus eliminating galvanic corrosion.

Sizes: 1/8" - 3" in CL 3000 • 1/8" - 2-1/2" in CL 6000

Threads: American National Standard Taper Pipe Threads NPT (ANSI/ASME B1.20.1-1983)

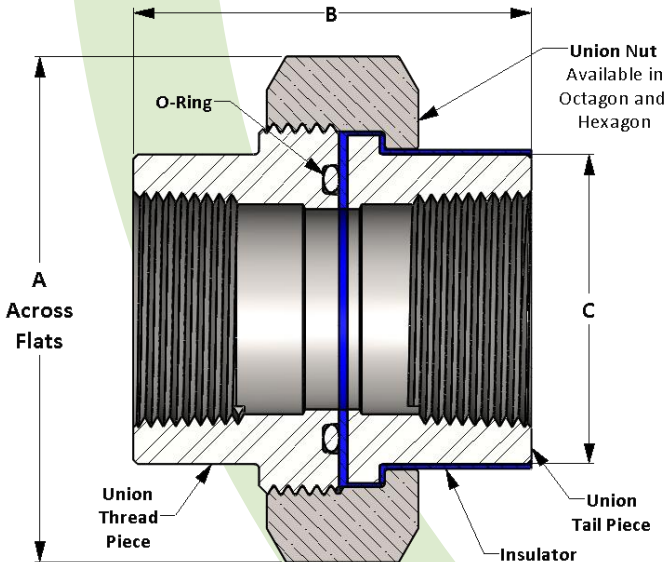
Also available in other thread forms: NPTF, NPSC, NPSM, NGT, SAE, BSPT, BSPP and in any combination. Left hand threads available upon request.



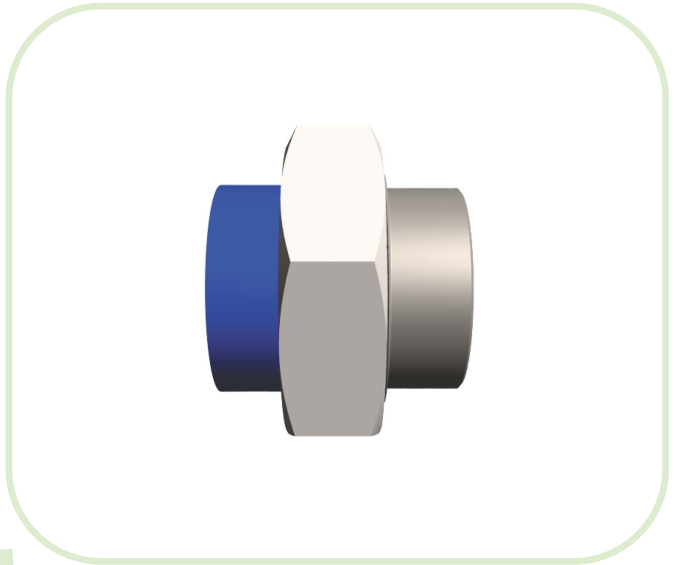
SIZE	L	SIZE	L
1/8	0.273	2	0.697
1/4	0.395	2-1/2	0.933
3/8	0.407	3	1.016
1/2	0.534	3-1/2	1.071
3/4	0.553	4	1.094
1	0.661	5	1.187
1-1/4	0.681	6	1.208
1-1/2	0.681	8	1.313

**Length of thread
screwed into fitting**

Threaded Pressure Class	Pipe Schedule
Class 3000	S160
Class 6000	XXH



**Animated
Model**



All dimensions are in inches • Weights are based on Carbon Steel

CLASS 3000 – Figure No. 03039											
PIPE SIZE	1/8	1/4	3/8	1/2	3/4	1	1-1/4	1-1/2	2	2-1/2	3
A	1.375	1.375	1.625	1.813	2.25	2.563	3.063	3.438	4.063	4.875	5.688
B	1.688	1.688	1.843	1.968	2.250	2.468	2.781	3.031	3.406	3.968	4.281
C	0.865	0.865	1.025	1.235	1.465	1.795	2.165	2.425	2.965	3.615	4.305
LBS	0.45	0.40	0.65	0.77	1.19	1.73	2.74	3.60	5.51	8.90	12.61

CLASS 6000 – Figure No. 06039											
PIPE SIZE	1/8	1/4	3/8	1/2	3/4	1	1-1/4	1-1/2	2	2-1/2	3
A	1.375	1.625	1.813	2.25	2.563	3.063	3.438	4.063	4.875	5.688	---
B	1.688	1.843	1.968	2.250	2.468	2.781	3.031	3.406	3.968	4.281	---
C	0.865	1.025	1.235	1.465	1.795	2.165	2.425	2.965	3.615	4.305	---
LBS	0.48	0.56	0.75	1.35	2.01	3.17	3.92	6.60	10.12	14.00	---