

Threaded Street Elbow

Specification: ASME B16.11

Material: Available in a complete range of Carbon Steels, Stainless Steels, Alloy Steels and Non-ferrous metals certified to ASTM, ASME, and Military standards.

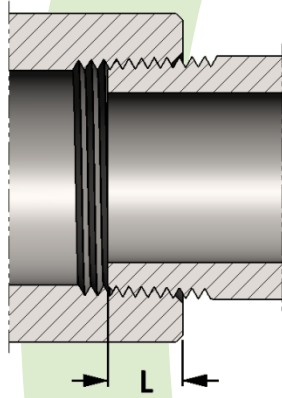
Sizes: 1/8" - 2" in CL 3000 • 1/8" - 1-1/2" in CL 6000

Also available in reducing pipe sizes

Threads: American National Standard Taper Pipe Threads
NPT (ANSI/ASME B1.20.1-1983)

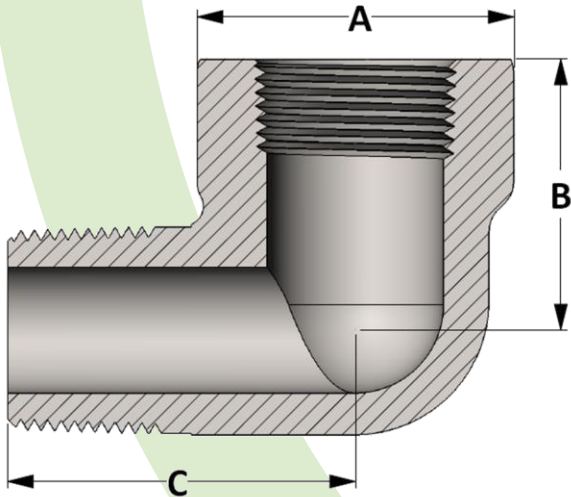
Also available in other thread forms: NPTF, NPSC, NPSM, NGT, SAE, BSPT, BSPP and in any combination.
Left hand threads available upon request.

Threaded Pressure Class	Pipe Schedule
Class 3000	S160
Class 6000	XXH

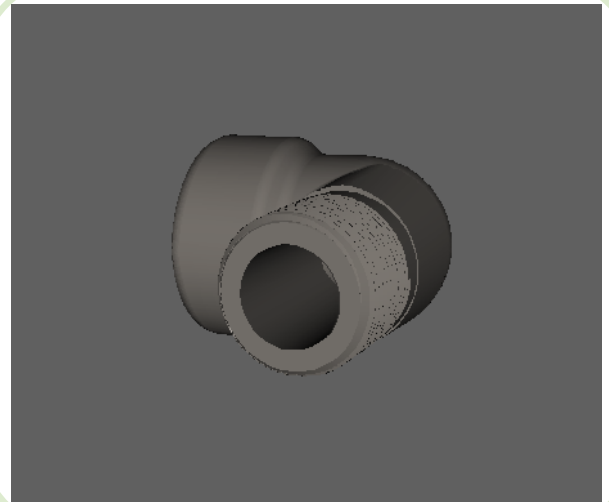


SIZE	L	SIZE	L
1/8	0.273	2	0.697
1/4	0.395	2-1/2	0.933
3/8	0.407	3	1.016
1/2	0.534	3-1/2	1.071
3/4	0.553	4	1.094
1	0.661	5	1.187
1-1/4	0.681	6	1.208
1-1/2	0.681	8	1.313

**Length of thread
screwed into fitting**



Active
3D
Model



All dimensions are in inches • Weights are based on Carbon Steel

CLASS 3000 – Figure No. 03005

PIPE SIZE	1/8	1/4	3/8	1/2	3/4	1	1-1/4	1-1/2	2
A	1.000	1.000	1.313	1.500	1.750	2.000	2.438	2.750	3.313
B	0.875	0.875	1.125	1.250	1.375	1.750	2.000	2.125	2.500
C	1.250	1.250	1.500	1.688	1.875	2.250	2.625	2.875	3.313
LBS	0.22	0.20	0.45	0.59	0.89	1.33	2.45	3.04	4.84

CLASS 6000 – Figure No. 06005

PIPE SIZE	1/8	1/4	3/8	1/2	3/4	1	1-1/4	1-1/2	2
A	1.000	1.313	1.500	1.750	2.000	2.438	2.750	3.313	---
B	0.875	1.125	1.250	1.375	1.750	2.000	2.125	2.500	---
C	1.250	1.500	1.688	1.875	2.250	2.625	2.875	3.313	---
LBS	0.22	0.44	0.99	1.06	1.74	3.16	3.94	6.47	---